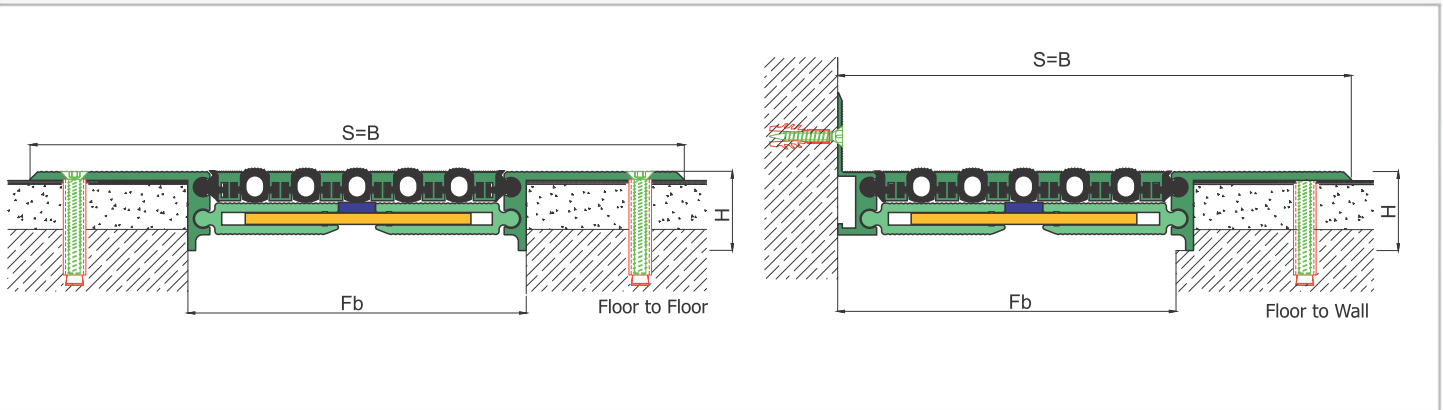
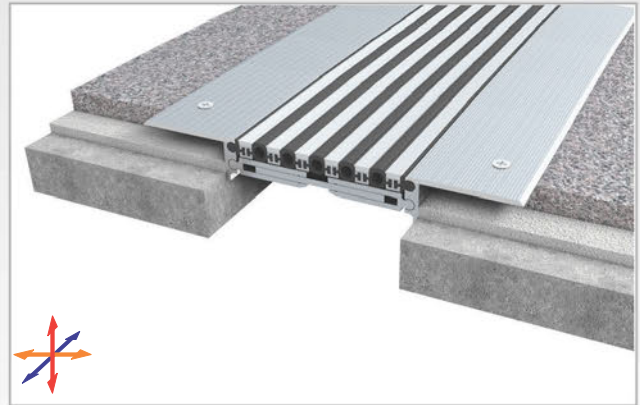
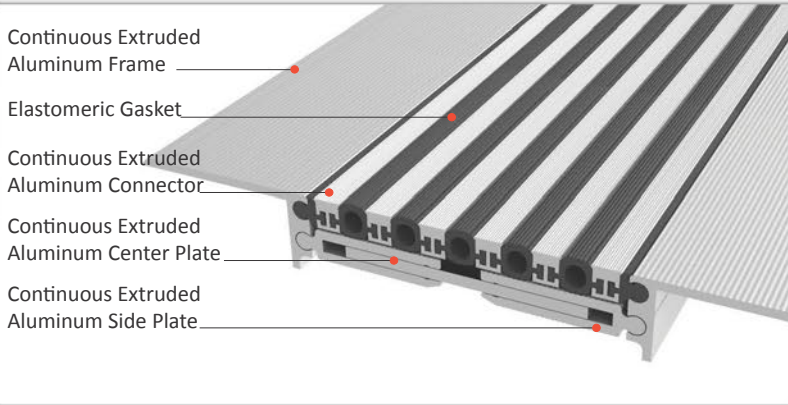




AS U236 surface mounted floor profiles can easily be applied to all types of floors and load bearing capacity is designed for heavy vehicles or cars depending on the gap inquired. Adjustable interlocking profile and gasket configuration makes it available for gaps up to 200 mm and enables to meet displacements in 3 directions. If inquired, AS U236 can be applied with wall type AS U136 and this dual application brings in a decorative aspect. Profiles are delivered factory-assembled.

- Application Areas** : Indoor & Outdoor / Floor
- Ideal for** : Factories, Warehouses, Car Parks, Shopping Malls, Airports, Residences, Hospitals, Hotels, Public & Commercial Buildings etc.
- Material** : Mill Finish Aluminum (Anodizing optional), TPE Gasket
- Aluminum Alloy** : 6063 AA-USA / EN AW 6063
- Optional Supplies** : Fire Barrier, Waterproof EPDM membrane

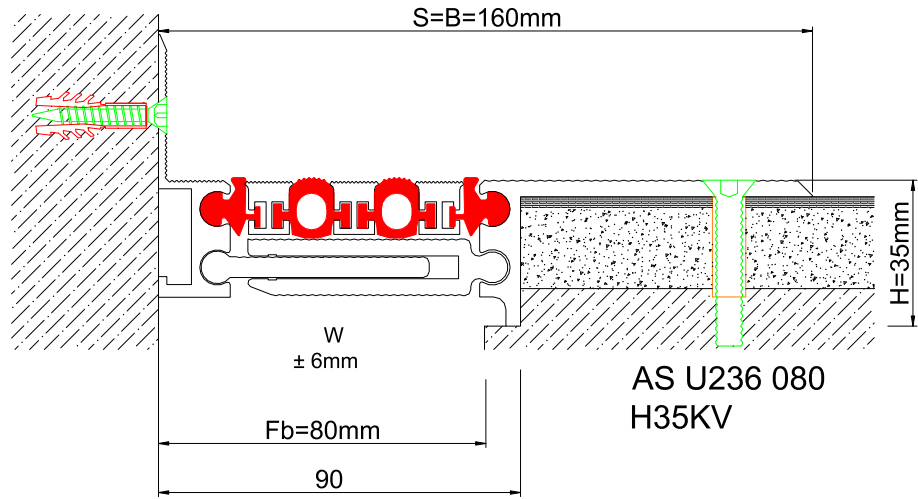
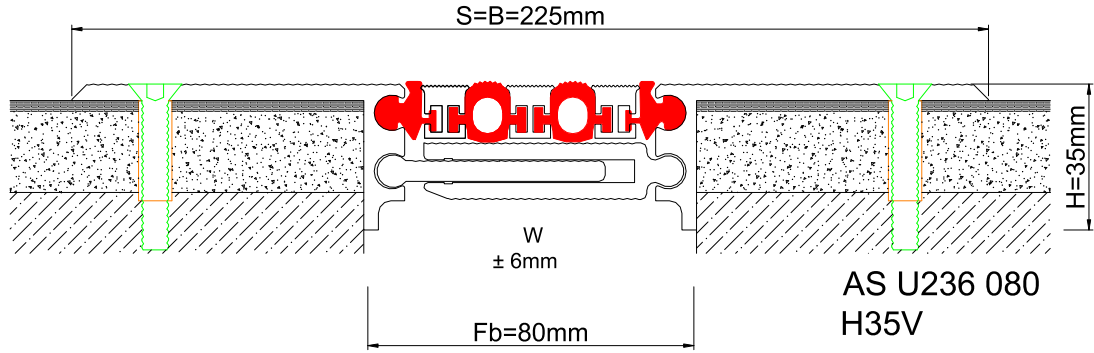




\* Visuals are representative and the profile configuration may differ depending on the characteristics requested.



| LOCATION       | MODEL       | GAP (Fb) mm | HEIGHT (H) MM | OVERALL WIDTH (B) mm | VISIBLE WIDTH (S) mm | MOVEMENT (W) mm | LOAD CAPACITY | STANDARD LENGTH (mt) |
|----------------|-------------|-------------|---------------|----------------------|----------------------|-----------------|---------------|----------------------|
| Floor to Floor | AS U236-060 | 60          | 35            | 200                  | 200                  | ± 4             | 35 kN  90 kN  | 3                    |
|                | AS U236-080 | 80          | 35            | 220                  | 220                  | ± 6             | 25 kN  50 kN  | 3                    |
|                | AS U236-100 | 100         | 35            | 240                  | 240                  | ± 8             |               | 3                    |
|                | AS U236-120 | 120         | 35            | 260                  | 260                  | ± 10            |               | 3                    |
|                | AS U236-160 | 160         | 35            | 300                  | 300                  | ± 14            |               | 3                    |
|                | AS U236-180 | 180         | 35            | 320                  | 320                  | ± 16            |               | 3                    |
|                | AS U236-200 | 200         | 35            | 340                  | 340                  | ± 18            |               | 3                    |

Note: Please ask for different sizes



| Profil No<br>Profile Number                 | AS U236 080   | AS U236 080K   |
|---|---|--|
| Fb (mm)                                     | 80  | 80   |
| H (mm)<br>yaklaşık<br>approx.               | 35  | 35   |
| W± (mm)<br>yaklaşık<br>approx.              | ± 6   | ± 6  |
| Renk<br>Color                               | Alüminyum: Natürel, Filtiller: Siyah, gri, diğer<br>Aluminum: Natural, Inserts: Black, grey, others |  |
| Malzeme<br>Material                         | Alüminyum, TPE Termoplastik Elastomer<br>Aluminum, TPE Thermoplastic Elastomer                      |  |
| Standart Uzunluk<br>Standard Length         | 3   |  |
| Yükleme Kapasitesi<br>Load-Bearing Capacity | 25kN             | 50kN  |